



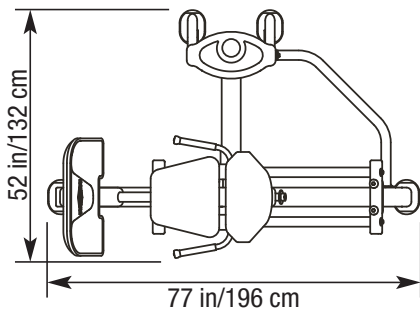
# CG-9516



[www.tuffstufffitness.com](http://www.tuffstufffitness.com)



- Custom convex footplate provides neutral ankle and knee alignment during exercises.
- Adjustable 5-position ergonomic seat carriage with 2" rollers riding on 2" diameter hard chrome seat rails for smooth and precise motion.
- Heavy duty 2" x 4" 11-gauge oval steel frames combined with 2" 11-gauge round tubing accents.
- 4-1/2" and 3-1/2" diameter fiberglass reinforced nylon pulleys with sealed bearings enclosed in protective steel covers.
- High density EMR Urethane foam padding with double-stitched upholstery (black) secured to 3/4" plywood backing.
- Electrostatically applied powder coat finish baked at 400°F.
- 3/16" USA-Made/Certified EXERFLEX PRO® high performance fitness cable.
- Magnetically secured selector pins and steel weight stacks are easily accessible from seated position.
- 3/4" precision ground, hard chrome finish, solid steel guide rods.
- Steel weight stack enclosures with decorative built-in storage compartment cover.
- Thermoplastic rubber handgrips secured with aluminum end caps for durability and improved feel.
- Protective rubber stabilizer feet with anchoring holes.
- Custom two tone finish (standard):
  - (1) Platinum Sparkle – main frame
  - (2) Charcoal Texture – accent



Height: 85 in / 216 cm    Weight: 610 lb / 277 kg  
 200 lbs. steel weight stack.  
 2:1 ratio provides 400 lbs. of weight resistance.

## CUSTOMIZATION

Finish, upholstery and embroidered wear covers (personalized brand logo) are also available to further enhance your company name. Also available is our factory assembly of the CalGym equipment – call for pricing & availability from your sales representative.

## COMMERCIAL WARRANTY\*

- 10 YEARS:** Structural main frames, welds, cams and weight plates.
  - 5 YEARS:** Pivot bearings, pulleys, bushings, and guide rods.
  - 1 YEAR:** Pull-pin components and rail wheels.
  - 6 MONTHS:** Upholstery, cables, finish, and rubber grips.
- ALL OTHER PARTS** not mentioned, one year from the date of delivery to the original purchaser.

