



Keeping South Florida Healthy & Fit for over 24 Years!

BODYCRAFT

F760 LEG PRESS/ HACK SQUAT

Your leg muscles are the strongest and toughest muscles in your body. The BODYCRAFT F760 Linear Bearing Leg Press / Hack Squat was designed with that in mind. From the heavy gauge steel, to the industrial grade linear bearings, this machine is built to withstand the toughest workouts.

Shoulder Pads Provides the User with 12" of Travel and 13 Locking Positions for the Perfect Fit. With a Squat Range from 36" at the Lowest Point to 79" at the Highest Point, this Machine Accommodates Any Size User.



Our Lower Footplate is Gas Assisted & Features 5 Different Adjustment Angles and a Lumbar Support Pad Which Flips Up on a Hinge for Hack Squat. The Adjustments Allow the User to Correctly Position Themselves for Either Leg Press, Hack Squats, or Calf Raises.

HIGHLIGHTS



ADJUSTABLE LOWER FOOT PLATE



ADJUSTABLE UPPER FOOT PLATE



LONG WEIGHT PLATE HOLDERS
(UP TO NINE 1.75" INCH PLATES ON EACH SIDE)

ATTACHMENTS



3" ROUND CALF BLOCK



DONKEY SQUAT PAD

CLICK OR
SCAN FOR MORE
INFORMATION



561-712-0381 |



COASTALFITNESS@AOL.COM |



WWW.COASTALFITNESS.COM

BODYCRAFT

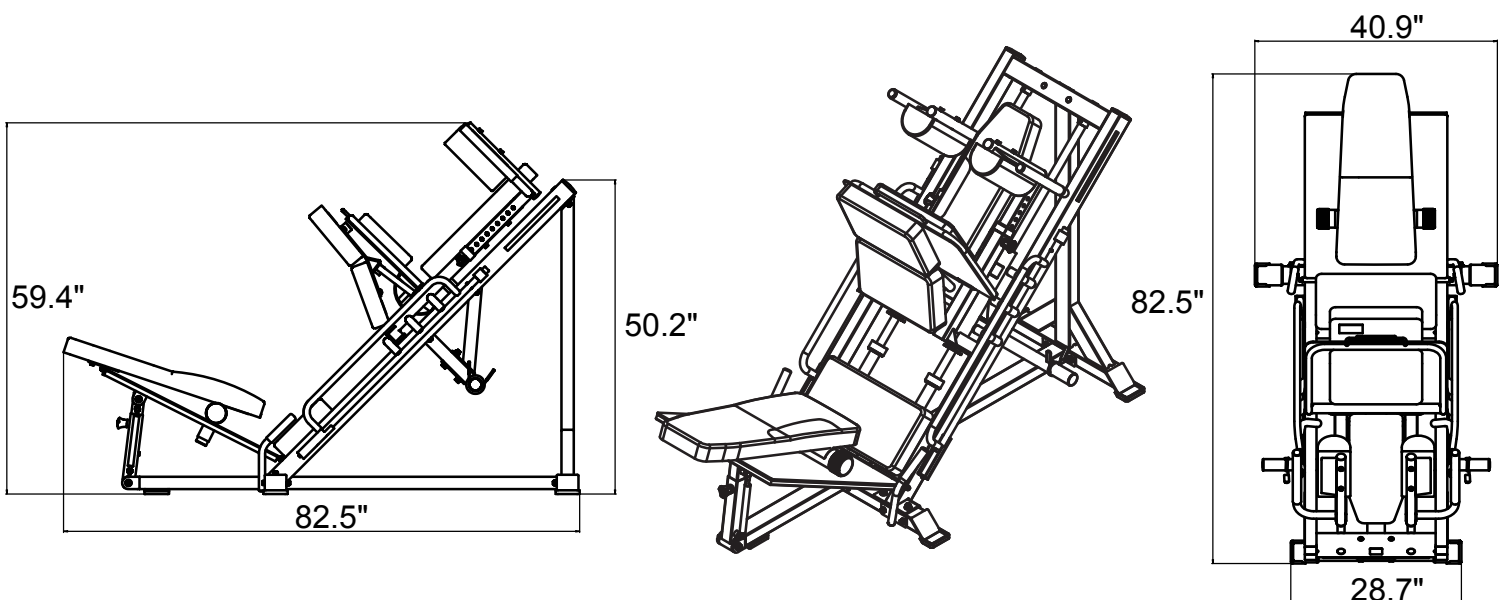
F760 LEG PRESS/HACK SQUAT

FEATURES AND SPECIFICATIONS

SHOULDER PADS	Fully Adjustable, with 12" of Travel and 13 Positions Accommodating a Wider Range of Users.
SQUAT RANGE	36" at the Lowest Point to 79" at the Highest Point
UPPER FOOT PLATE	Adjust to 5 Different Angles from 75 Degrees to 135 Degrees
LOWER FOOT PLATE	Adjust to 5 Different Angles
SQUAT PAD	Allows for Squats and Calf Raises by Pressing with Lower Lumbar, Relieving Spinal Compression
CALF BLOCK	Removable 3" Round Calf Block. Works in Conjunction with Donkey Squat Pad or Shoulder Pads
BEARINGS	Industrial Grade Linear Bearings
DESIGN	Space Saving Design: With Weight Plate Loading Under the Carriage
BACK PAD	Leg Press Back Pad Features Lumbar Support and Flips Up on a Hinge for Hack Squat.
LEG PRESS RANGE	Leg Press Range of 23" at Lowest Point to 64" at Highest Point
CONSTRUCTION	Heavy Gauge, 2" x 3" Steel Tubing and 1/4" Plate Steel.
CARRIAGE	Rides on Industrial Grade Linear Bearings, and 1.25" Case Hardened Steel Solid Guide Rods.
CARRIAGE WEIGHT	75 lb. Starting Weight
PADS	Double Stitched Heavy Duty Upholstery and High Density Foam.
WEIGHT CAPACITY	1,000 lbs.
DIMENSIONS	79" L x 39" W x 50" H.
WEIGHT	(Assembled) 373.5lb
FINISH	Diamond Gray and Textured Black Electrostatic Powder-Coated Finish
GUIDE RODS	Rides on Industrial Grade Linear Bearings, and 1.25" Case Hardened Steel Solid Guide Rods.

WARRANTY

WARRANTY Frame: 10 Years / Parts: 2 Years / Wear items: 6 Months



561-712-0381 |



COASTALFITNESS@AOL.COM |



WWW.COASTALFITNESS.COM