



Keeping South Florida Healthy  
& Fit for over 25 Years!

**BODYCRAFT**

**EXP** SERIES

# CSM SMITH MACHINE

The EXP Smith Machine: offering a 7-degree angle smith system and free-weight barbell combo for natural movements. Featuring smooth linear bearings and safety locking, it ensures secure workouts. Equipped with rock climb grips, multi pull-up bars, and chrome-plated gunrack for durability, it's a comprehensive fitness solution. Plus, Olympic bar and weight plate holders are included for convenient storage. Built with an 11-gauge steel frame, it guarantees solid performance.

## HIGHLIGHTS

OLYMPIC BARBELL  
ON LINEAR BEARINGS



MULTI GRIP  
PULL/CHIN BAR



EASY DOUBLE  
ADJUSTMENT  
SAFETY CATCHES



Optional front free weight safety spotters, chrome-plated and laser-cut, offer additional safety and support during exercises.



Ample storage with 8 weight plate tree holders, with 4 on each side, ensures convenient organization & optimizes space.

Chrome-plated rack hooks and safety spotters, laser-cut with 5.5-inch spacing, provide secure support and precise positioning for safe and effective weightlifting routines.

## OPTIONAL BENCHES



CFI-1 FLAT TO INCLINE



F705 FID



561-712-0381



COASTALFITNESS@AOL.COM



WWW.COASTALFITNESS.COM



Keeping South Florida Healthy  
& Fit for over 25 Years!

**BODYCRAFT**

**EXP SERIES**

# SMITH MACHINE

FEATURES  
AND  
SPECIFICATIONS

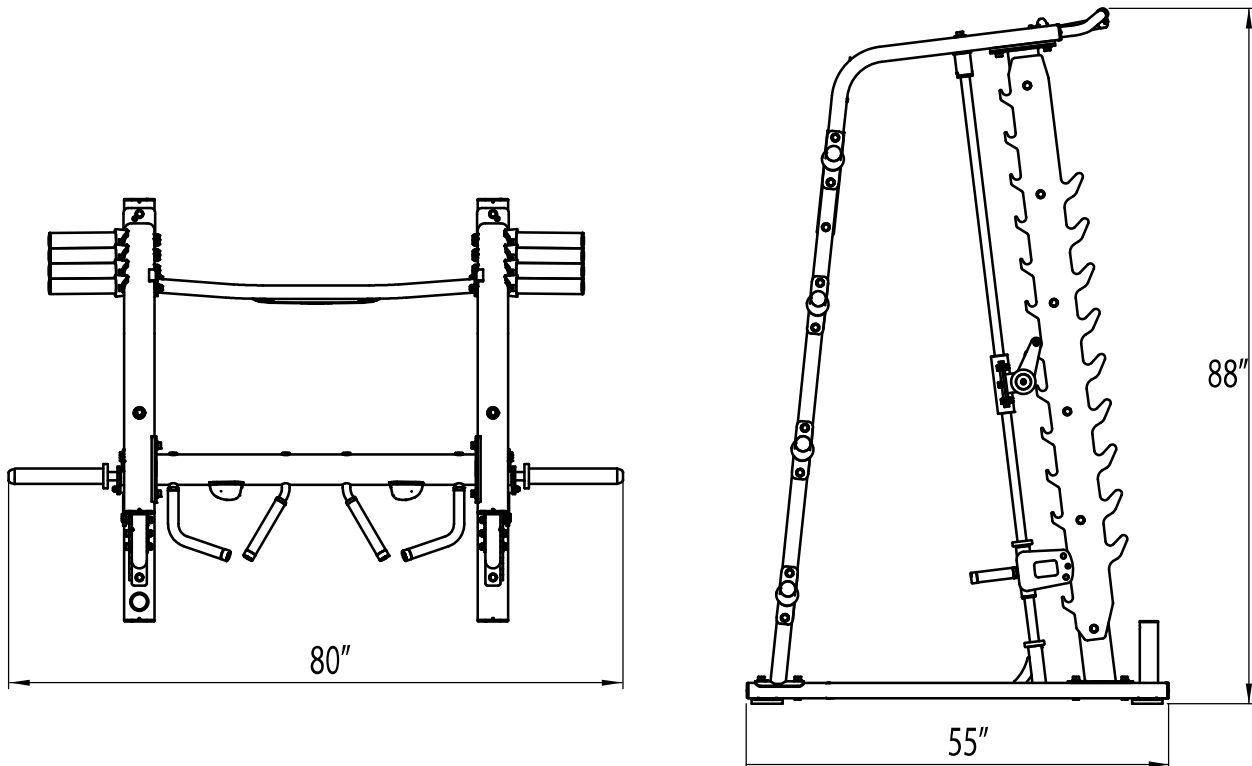
<b>FRAME</b>	Heavy-Gauge Oval Tubing W/ Laser Cut Steel Plates
<b>AESTHETICS</b>	Blue Aluminum Accents, All Black Hardware, Chrome Plated & Laser Cut Hooks/Spoters.
<b>STABILITY</b>	Non Skid Stabilizer Rubber Feet
<b>PAINT FINISH</b>	Diamond Gray and Textured Black Electrostatic Powder-Coated Finish
<b>BARBELL</b>	Olympic Barbell with Knurling (45lb Starting Resistance)
<b>PULL/CHIN BAR</b>	(Wide – Classic – Narrow) Uses Include: Pull-Ups, Chin Ups, Rock Grips
<b>STORAGE</b>	Olympic Bar Holder, 8 Weight Plate Holders
<b>GUIDE RODS</b>	Heavy Duty Solid 3/4" Chrome Plated w/ Industrial Linear Bearings
<b>SPACING</b>	5.5" Increments (Rack Hooks & Safety Spotter)
<b>HOOKS &amp; SPOTTERS</b>	Chrome Plated, Laser Engraved, & Laser Cut Steel
<b>WEIGHT CAPACITY</b>	Rated for up to 660 lbs.
<b>HARDWARE</b>	1/2" Hardened Steel Bolts at all Connection Points
<b>DIMENSIONS</b>	55" L x 80" W x 88" H
<b>WEIGHT</b>	447.5 lbs

WARRANTY

**COMMERCIAL** Frame: 10 Years / Parts: 5 Years

ADD-ONS

**EXP-CSM-SC** CSM Safety Catches



561-712-0381



COASTALFITNESS@AOL.COM



WWW.COASTALFITNESS.COM